

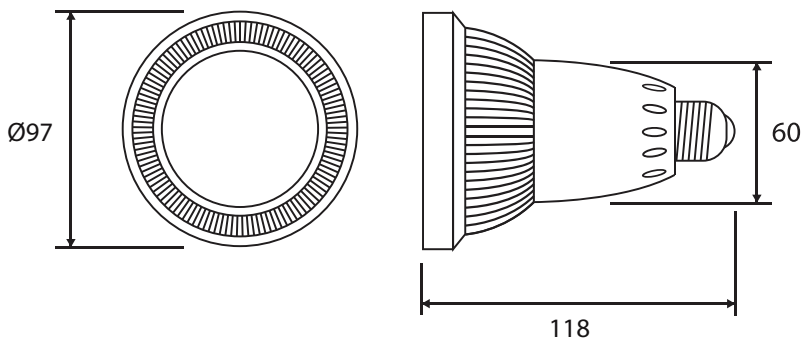
Specifications

ML-PB30L

W



Total Flux	500 lm
Efficiency	60 lm/W
CRI	> 70
Input Power	90 ~ 240 Vac (50~60Hz)
Color Temperature	5,000 K
Power Consumption	8.5 W
Material	PC + Al
Base	E26
Lifespan	40,000 hrs
Operation Temp.	-20 ~ 60°c
Storage Temp.	-40 ~ 80°c
Protection Rating	Indoor
Weight	220g
Beam angle	50°
Outline Dimensions(mm)	Ø97 X 118



#207 Venture Center, GJTP, 958-3, Daechon-dong, Buk-gum GwangJu, Korea

Tel: [+82-62-602-7846](tel:+82-62-602-7846) Fax: +82-62-602-7851