
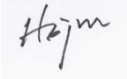



| | | |
|--|---|---|
| 기안 | 심의 | 확정 |
|  |  |  |

Product Specification

MODEL NAME : AQUA SHOT

PART NUMBER : ML-AS1254LFAB

CUSTOMER NAME :

DATE :

[CUSTOMER APPROVAL]

| | | | | |
|----------------------|-----------|-------|----------|---------|
| APPROVAL NO | | | | |
| APPROVAL DATA | | | | |
| APPROVAL | INSPECTER | CHECK | APPROVAL | COMMENT |
| | | | | |

LEDLITEK CO., LTD.

#207 Venture Center, GJTP, 958-3, Daechon-dong, Buk-gu GwangJu, Korea

[Tel:+82-62-602-7846](tel:+82-62-602-7846) Fax:+82-62-602-7851

[Revision Chart]

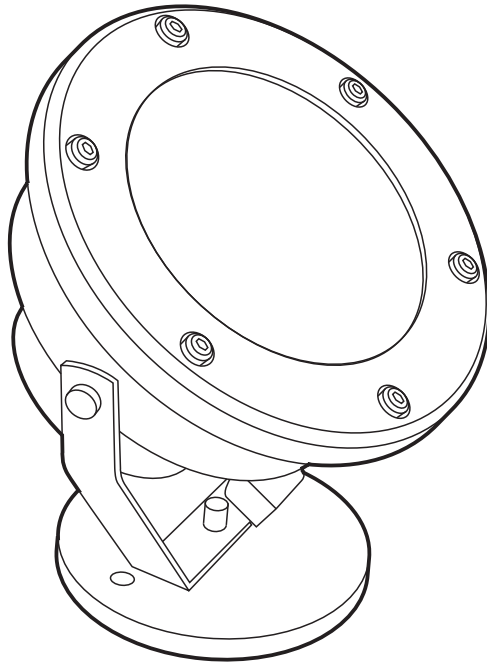
| Rev | Date | Title | Contents | Page | Remark |
|-----|------|-------|----------|------|--------|
| | | | | | |
| | | | | | |
| | | | | | |
| | | | | | |
| | | | | | |
| | | | | | |

MANUAL AQUASHOT

ML-AS1254LFAB



The product image and specification could be changed for the better performance improvement without any notice in advance.

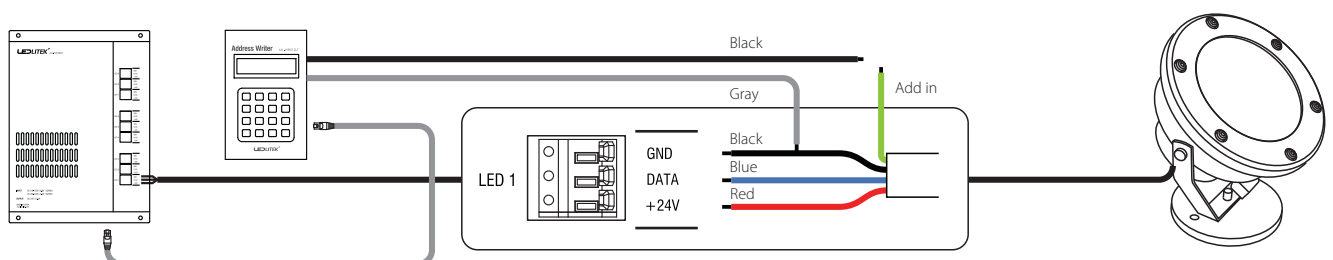


SPECIFICATION

- Display RGB Color :** 16 million color (RGB each 8Bit)
- Lamp composit :** Highpower 1 W (R4/G4/B4)
- Brightness :** 3671cd, (Center, Full White)
- Data interface :** DMX 512 Standard (RS485)
- Address control :** Auto addressing
- Housing :** Stainless steel (STS-316L)
- Waterproof class :** IP68
- Power consumption :** 350mA @24VDC (25W)
- Sizes :** Ø150*145(W.H)mm
- Application :** Underground, expose outdoor(Include a submergence)

HOW TO ADDRESSING

1. Connect to DMX power(+24V, Data, GND) as below. (+24V, DATA, GND)
2. Connect the address writer to DMX "In" port(RJ-45 Type)
3. Connect the ADD "In" port to the black line of the address writer.
4. Connect Gray line of the address writer to GND of DMX power.
5. The working process of the address writer is Address->Enter->type1->Enter-> input the setup number->Enter.
6. Unlink address writer from DMX power after finishing the all process.

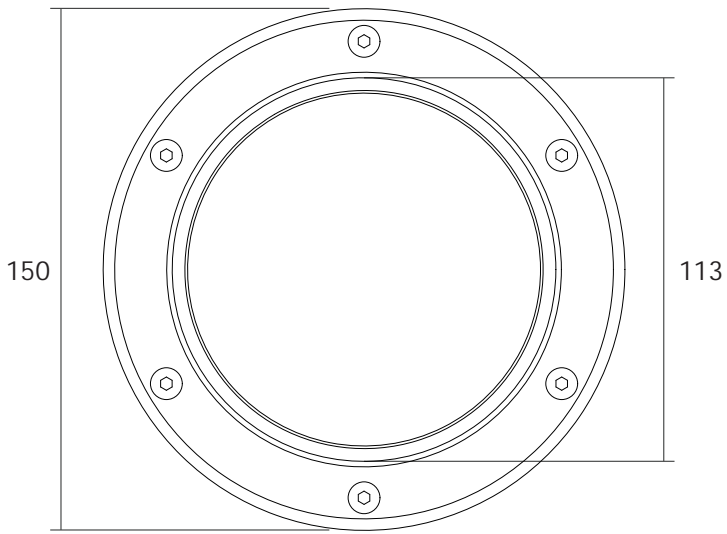


MANUAL
AQUASHOT

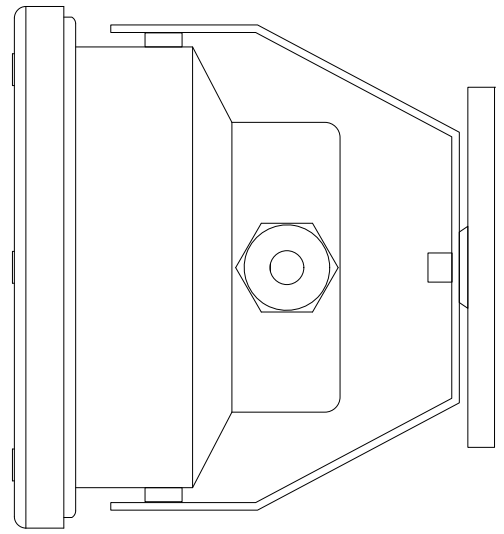
ML-AS1254LFAB

PHYSICAL DIMENSIONS

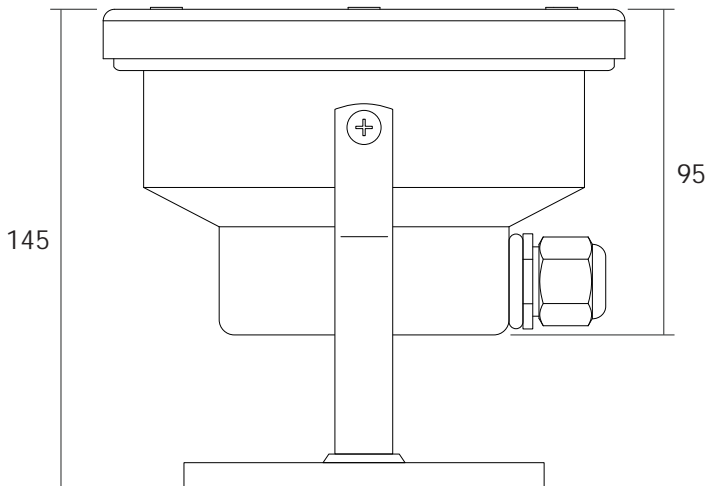
Top



Side



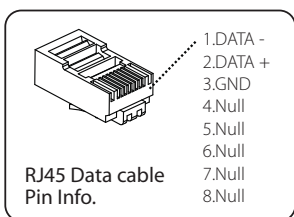
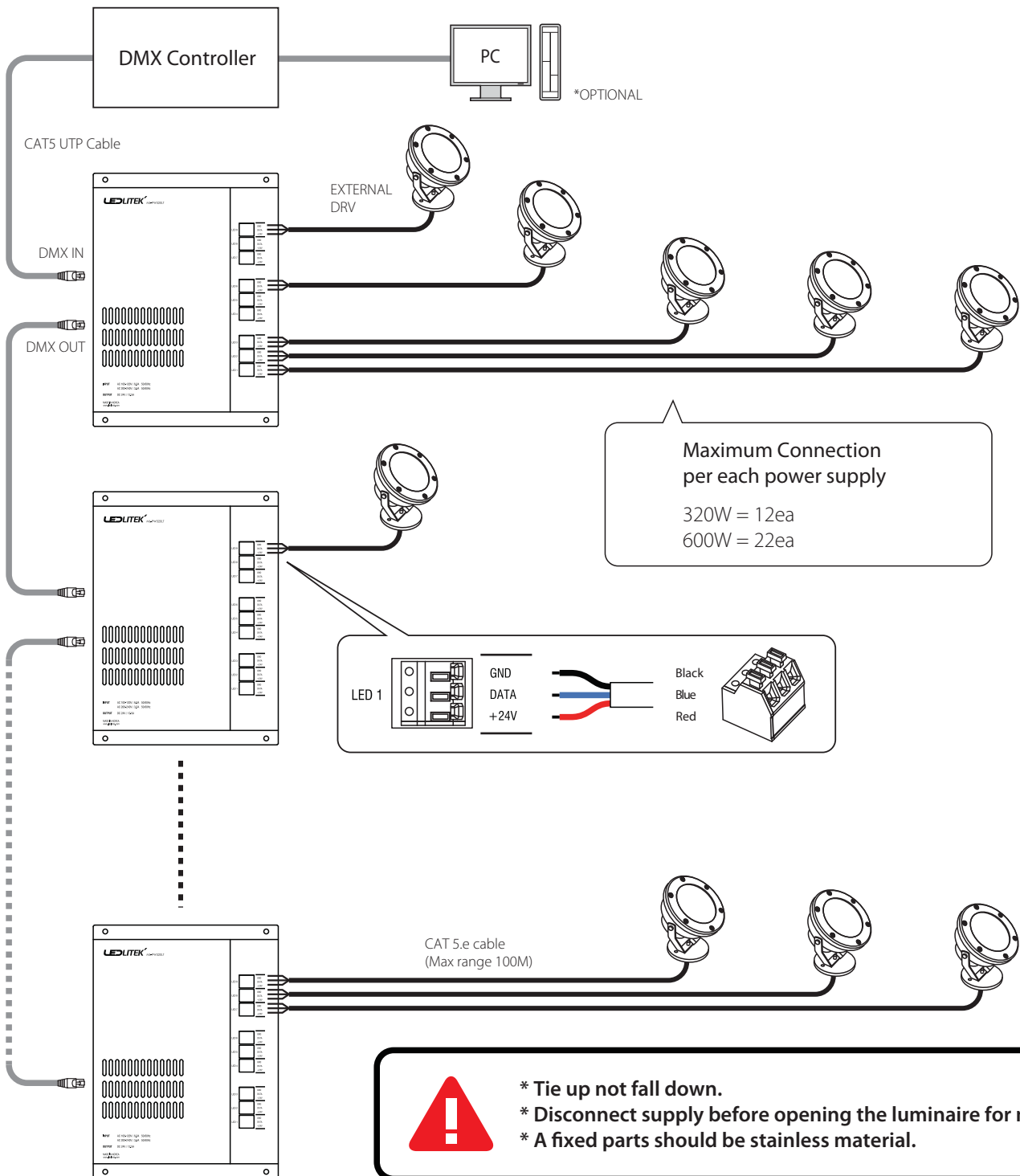
Front



MANUAL AQUASHOT

ML-AS1254LFAB

INSTALLATION



| OPTIONAL ITEMS | |
|----------------|--|
| Power Supply | DC Power supply (ML-PW150LT, 320LT, 600LT) |
| Controller | EZstudio (ML-CT0084MT) DMX512 compatible controller |
| Address Unit | Address Writer (ML-WR512LT) |

MANUAL AQUASHOT

ML-AS1254LFAB

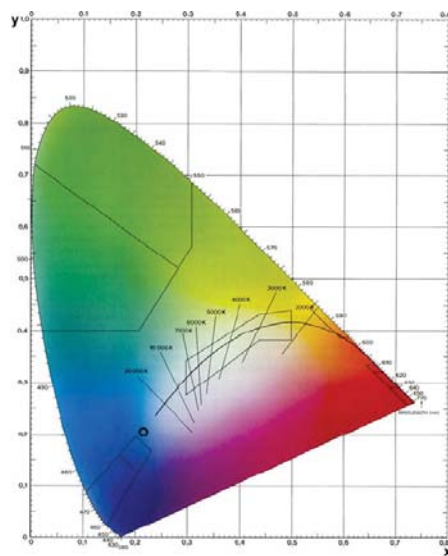
Light Output

| COLOR | TOTAL OUTPUT [Lumens] | VOLTAGE [V] | POWER [Watts] | EFFICIENCY [Lm/W] | WAVE LENGTH [nm] |
|-------|-----------------------|-------------|---------------|-------------------|------------------|
| WHITE | 116 | 24 | 25 | 4.6 | N/A |
| RED | | 24 | | | |
| GREEN | | 24 | | | |
| BLUE | | 24 | | | |

Luminous Intensity

- 1) Measured on: white
- 2) Beam center: 3671 cd

Gamut



CIE 1931 Standard Observer

Colorimetric Properties(with reference to Illuminant D65)

- Dominant Wavelength: 472nm
- Excitation Purity: 0.49
- Colorimetric Purity: 34%

White point shown by diamond

Distribution curve of luminous intensity

