

LTFL-106-1A1

Specifications

90W Factory light

W

Eco-friendly product
No Mercury, No Lead (RoHS standard)

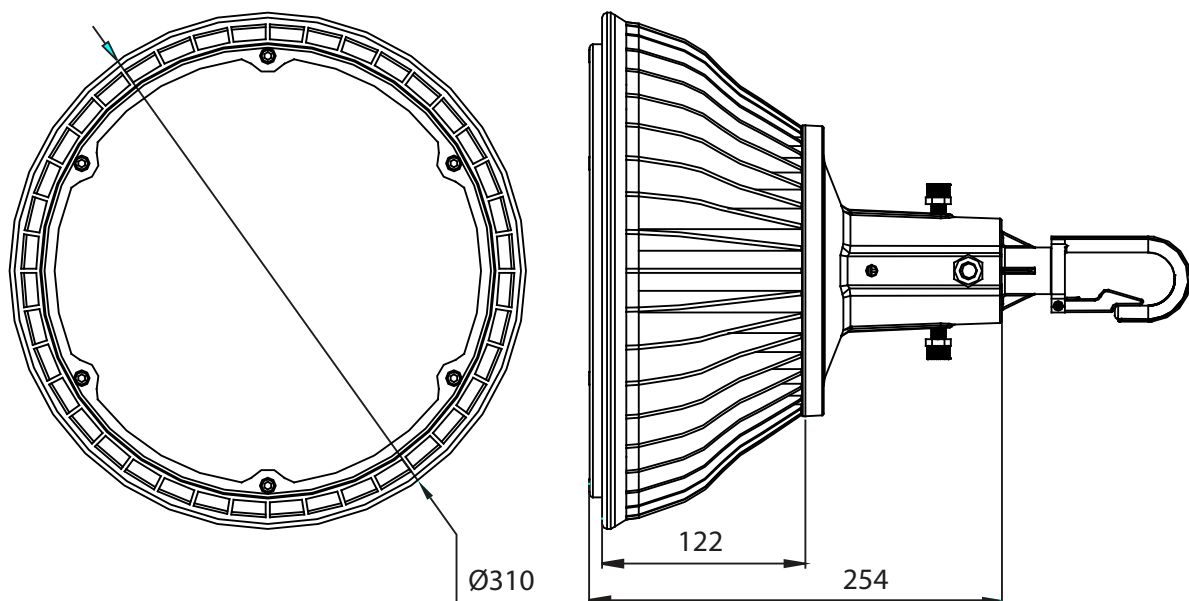


5,000K

| | |
|-----------------------|----------------------|
| Total Flux | 7,600±10% |
| Efficiency | >84 lm/W |
| Power Consumption | 90W±10% |
| Input Power | 90~240 Vac (50/60Hz) |
| PF (Power Factor) | >0.90 |
| Color Rendering Index | Ra>70 |
| Operation temp. | -30~50°C |
| Storage temp. | -40~80°C |
| Beam Angle | 156° |
| Housing & Lampshade | Alluminum Alloy & PC |
| Protection Rating | IP 65 |
| Weight | 5.8kg |
| Working Life | >40,000 hrs |
| Figuration Size | Ø310 x 254 mm |



Dimension



246 Kumho-ri Buyong-myeon, Cheongwon-gun, Chungcheongbuk-do, Korea, 363-942
Tel: +82-70-4331-3570 Fax: +82-43-263-3308