

LTFL-106-2A1

Specifications

90W Factory light

W

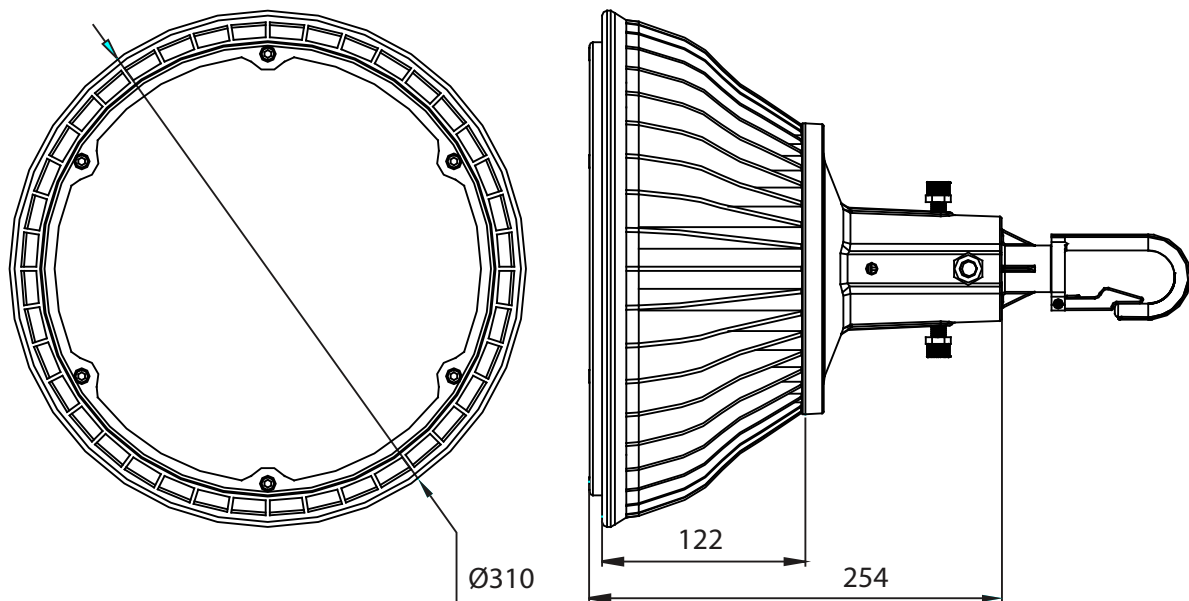
Eco-friendly product
No Mercury, No Lead (RoHS standard)



	5,000K	3,000K
Total Flux	6,800±10%	5,500±10%
Efficiency	>75 lm/W	>60 lm/W
Power Consumption	90W±10%	
Input Power	90~240 Vac (50/60Hz)	
PF (Power Factor)	>0.90	
Color Rendering Index	Ra>70	
Operation temp.	-30~50°C	
Storage temp.	-40~80°C	
Beam Angle	156°	
Housing & Lampshade	Aluminum Alloy & PC	
Protection Rating	IP 65	
Weight	5.8kg	
Working Life	>40,000 hrs	
Figuration Size	Ø310 x 254 mm	



Dimension



246 Kumho-ri Buyong-myeon, Cheongwon-gun, Chungcheongbuk-do, Korea, 363-942
Tel: +82-70-4331-3570 Fax: +82-43-263-3308